

**FUNERAL DIRECTOR MODEL:**  
Fully collapsible for easy transport

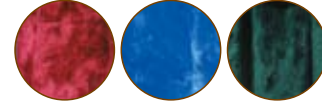


Both models telescope from 62"L x 25"W to 94"L x 38"W. Cemetery models do not collapse.

**LOWERING DEVICES**

Drapes are made of Hyluster material and come in burgundy, green or blue, please specify when placing your order. All devices include a complete set of straps for a 6' grave unless a different length is requested. Device Straps can be cut to fit graves from 6' to 10' deep. The straps have been tested to a tensile strength of 2000 pounds each.

**DRAPE COLORS AVAILABLE**



Hyluster Burgundy Hyluster Blue Hyluster Green



**A. THE MASTER SERIES**

A high-grade device, specifically designed for every day heavy-duty use. Combines beauty with rugged internal and external construction. Fourteen internal ball-bearings assure noiseless, easy lowering of the casket. Each device leaves the factory fully tested and adjusted to be used out of the box. Has a 900 lb. weight capacity. Weighing 130 lbs. plain, designed for a two-person setup. Both models telescope from 62"L x 25"W to 94"L x 38"W. Sets include: casket placer, lowering device, stand, drapes & straps.

- 224634** Funeral Director Model, Collapsible, Stainless Lowering Device Only
- 224707** Funeral Director Model, Collapsible, Stainless Set
- 224529** Cemetery Model, Non-Collapsible, Stainless Lowering Device Only
- 224596** Cemetery Model, Non-Collapsible, Stainless Set
- 224405** Casket Placer Set; 4 Placer Arms, 2 Guides, 1 End Roller, 1 End Stop. Must be installed by the factory



**B. URN/INFANT LOWERING DEVICE**

Cast aluminum heads in Imperial or Standard, stainless steel tubing throughout and a smooth, fully automatic, 1-man operation. 40"L with widths adjustable from 14"-24". Locks in place; easy release brake. Set includes covered removable board, single-faced, Hyluster green drape and stand. Sized to rest on Non-Telescoping Cremation Stand.

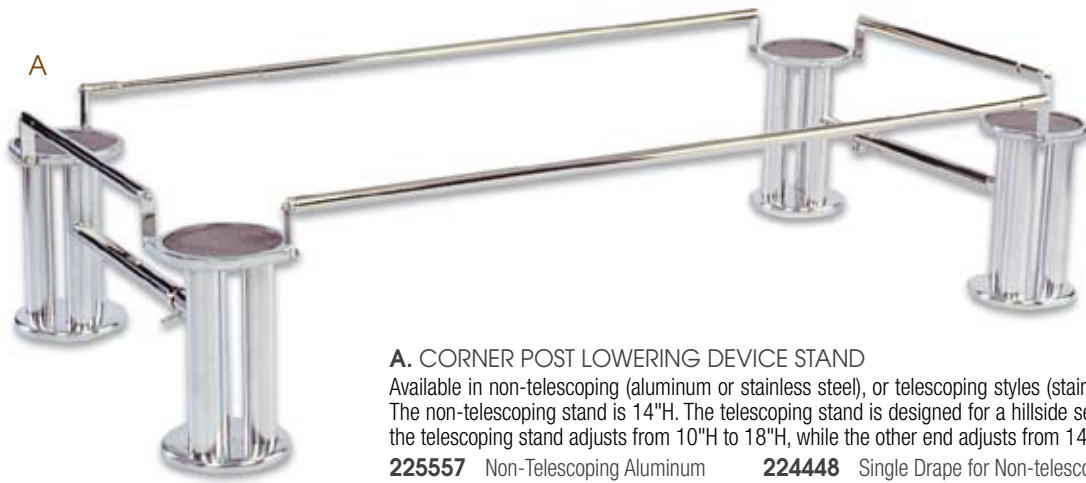
- 225665** Urn/Infant Stand Set; No Heads
- 225649** Urn/Infant Stand Set; Imperial Heads
- 225657** Urn/Infant Stand Set; Standard Heads

**HEAD STYLES**



Imperial Head

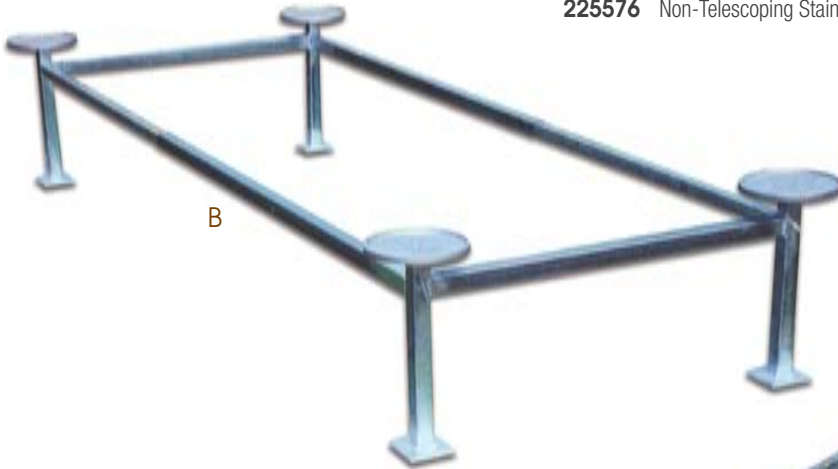
Standard Head



**A. CORNER POST LOWERING DEVICE STAND**

Available in non-telescoping (aluminum or stainless steel), or telescoping styles (stainless steel only). The non-telescoping stand is 14"H. The telescoping stand is designed for a hillside setup, one end of the telescoping stand adjusts from 10"H to 18"H, while the other end adjusts from 14"H to 26"H.

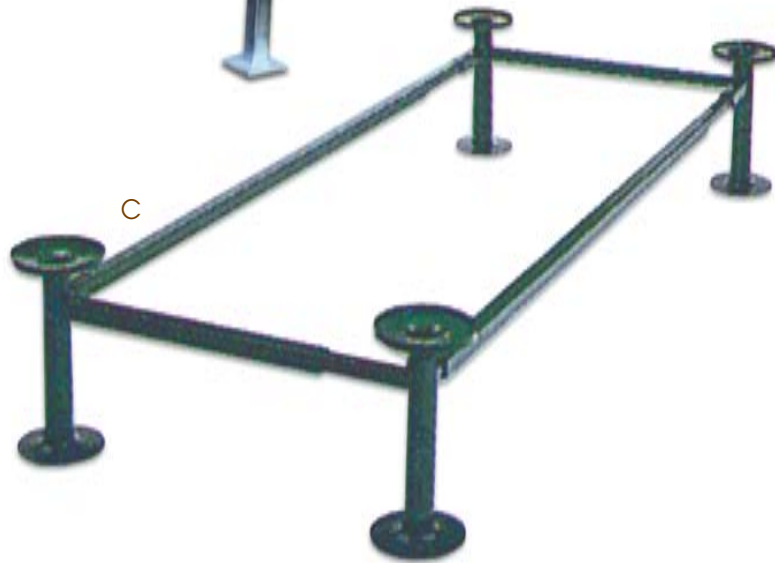
- |               |                                 |               |  |
|---------------|---------------------------------|---------------|--|
| <b>225557</b> | Non-Telescoping Aluminum        | <b>224448</b> | Single Drape for Non-telescoping (not shown) |
| <b>225568</b> | Telescoping Stainless Steel     | <b>224456</b> | Double Drape for Non-telescoping (not shown) |
| <b>225576</b> | Non-Telescoping Stainless Steel | <b>224464</b> | Double Drape for Telescoping (not shown)     |
|               |                                 | <b>224472</b> | Canvas Drape Bag (not shown)                 |



**B GALVANIZED STEEL LOWERING DEVICE STAND**

Supports lowering device of your choice, making gravesite set-up attractive, safe and professional. Telescoping (each leg telescopes in height from 15" to 21". Stand closes to 33"W x 60"L and opens to 45"W x 96"L.

**308113**



**C. ECONOMY LOWERING DEVICE STAND.**

Constructed of high quality steel that is adjustable in length, width and height. Each leg is adjustable. Green powder coated finish. 50"L x 30"W to 98"L x 41"W.

**409642**



**D. LOWERING DEVICE DRAPE FOR B & C (ABOVE)**

Hyluster or crushed velvet drapes are available in green, blue or burgundy. Velcro straps for attachment to tubing. 2 styles available. Specify Hyluster or crushed velvet. Coated cotton duck tote with a vinyl bottom and drawstring closure is available for storage and transport.

- |               |                                     |
|---------------|-------------------------------------|
| <b>308121</b> | 4-Piece Single-Faced Hyluster       |
| <b>308168</b> | 4-Piece Double-Faced Crushed Velvet |
| <b>308184</b> | Wrap-Around Hyluster                |
| <b>308192</b> | Wrap-Around Crushed Velvet          |
| <b>308217</b> | Canvas Tote Bag for One Drape       |



Canvas Tote

- |                   |               |                |                         |                     |                      |
|-------------------|---------------|----------------|-------------------------|---------------------|----------------------|
|                   |               |                |                         |                     |                      |
| Hyluster Burgundy | Hyluster Blue | Hyluster Green | Crushed Velvet Burgundy | Crushed Velvet Blue | Crushed Velvet Green |



Metal Tipped

### A. HAND STRAPS

For lowering caskets or vaults. Durable webbing; 20'L. Loop or metal-tipped ends. 1/pair.

- 308333** Loop Ends, 2.25" Brown Corded
- 308341** Loop Ends, 3-Ply, 2" White Cotton
- 308358** Loop Ends, 1.5" Olive Trunk
- 271195** Metal-Tipped Ends, 2.25" Brown Corded
- 271217** Metal-Tipped Ends, 3-Ply, 2" White Cotton
- 271233** Metal-Tipped Ends, 1.5" Olive Trunk



B

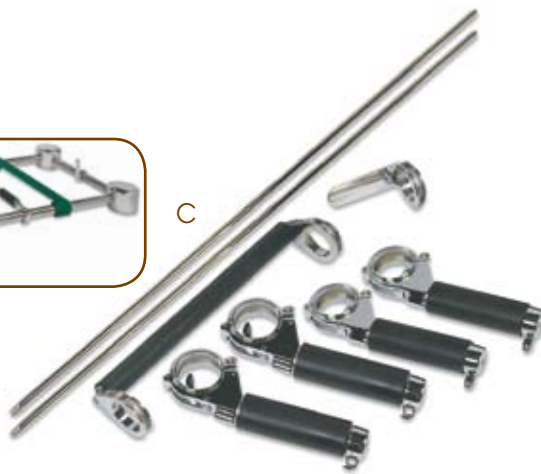
### B. CASKA-ROL PLACER

Heavy steel channel; silver baked enamel finish. Two 10" rubber rollers to allow any size casket to roll smoothly. 1 bar comes with brake attachment. Fits device set at 31" to 41" between rails. 3/set.

**93408**



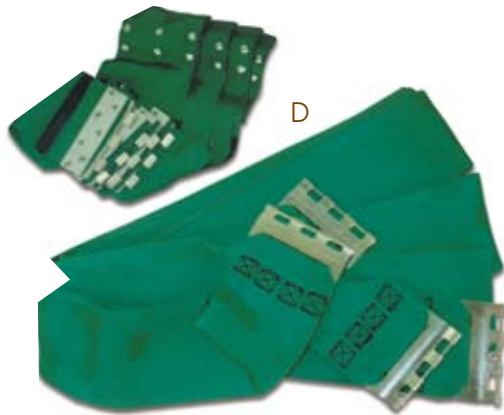
C



### C. CASKET PLACER ARM SET

Must be installed at the factory, order placer arm set at the same time that you order lowering device. Consists of 4 rubber-covered ball bearing rollers, 15" front roller attachment, casket stop and 2 placer guide rods. Optional dark green canvas Carrying Case for Casket Placer Arm Set available separately (not shown).

- 224405** Casket Placer Arm Set
- 224123** Carrying Case



D

### D. LOWERING DEVICE STRAPS

Constructed of the finest green poly webbing with steel hardware. 1/pair.

- 93335** 6' Grave, 15'L
- 93149** 7' Grave, 17.5'L
- 93157** 8' Grave, 20'L
- 93343** 8' Grave, 21'L
- 93165** 9' Grave, 22.5'L
- 93173** 10' Grave, 25'L
- 93181** Set/4 Short Straps, 14"



E

### E. LOWERING DEVICE CRANK

Wooden handle, brass crank.

- 308288**
- 225347** Not Shown



F

### F. CUSTOM LENGTH WEBBING

4 types: green poly, black corded, white cotton, olive trunk. Sold by the foot.

- 271187** 1" Olive Trunk
- 271179** 1.5" Olive Trunk
- 271152** 2" White Cotton
- 271144** 2.25" Black Corded
- 271098** 4" Green Poly